

# ELKAY®

## SPECIFICATIONS

distributed by RESTROOM DIRECT 704.937.2673 www.RestroomDirect.com

### EZH2O® Bottle Filling Station

#### Retro-fit Model for EMABF/LMABF Style Coolers

#### Model EMABFWS-RF

**RATED FOR INDOOR USE ONLY**

#### PRODUCT SPECIFICATION

Retrofit bottle-filling station for 115V/60Hz EMABF style pushbar-activated models. Bottle filling unit shall include an electronic sensor for touchless activation with auto 20-second shut-off timer. Shall include Green Ticker™ displaying count of plastic bottles saved from waste. Bottle filler shall provide 1.1-1.5 gpm flow rate with laminar flow to minimize splashing. Shall include integrated silver ion anti-microbial protection in key areas. Unit shall meet ADA guidelines. Unit shall be lead-free design which is certified to NSF/ANSI 61 and 372 and meets Federal and State low-lead requirements. Unit shall be certified to UL399 and CAN/CSA 22.2 No. 120.

#### STANDARD FEATURES

- Sanitary, touchless activation with auto 20-second shut-off
- Integrated Silver Ion Anti-microbial Protection in key areas
- Quick Fill Rate: 1.1 gpm when connected to refrigerated models; 1.5 gpm for non-refrigerated connections
- Laminar Flow provides minimal splash
- Real Drain System eliminates standing water
- Visual User Interface display includes:
  - Innovative Green Ticker™ counts bottles saved from waste

#### CONSTRUCTION

- Stainless steel bottle filler wrapper with ABS plastic alcove
- Retrofits to most 115V/60Hz EMABF style pushbar-activated models

#### CAPACITIES CHART

Model	Voltage / Hertz	Chilling Capacity	F.L. Amps	Rated Watts	Approx. Ship Weight.
EMABFWS-RF	115V / 60Hz	Based on Existing Cooler Rating	1.0	15	23

The above ratings apply only to the EMABFWS-RF unit. Ratings for cooler not included.

**Warranty:** Electrical components and water system are warranted for 12 months from date of installation or 18 months from factory shipment, whichever date falls first.



Model EMABFWS-RF

#### OPTIONAL ACCESSORY:

- 36292C Receptacle Adaptor Plug (115V with three plug-in receptacles).

#### CERTIFICATIONS / STANDARDS

- ADA Compliant
- UL399 and CAN/CSA 22.2 No. 120 Certified
- ANSI/NSF 61 and 372 Certified
- GreenSpec® Listed



This specification describes an Elkay product with design, quality and functional benefits to the user. When making a comparison of other producer's offerings, be certain these features are not overlooked.

*In keeping with our policy of continuing product improvement, Elkay reserves the right to change specification without notice. Please visit elkaypro.com for the most current version.*

2222 Camden Court  
OakBrook, IL 60523  
630-572-3192  
elkay.com

© 2014 Elkay  
SPEC00098 (09/2014)

**EZH2O® Bottle Filling Station**  
**Retro-fit Model for EMABF Style Coolers**  
**Model EMABFWS-RF**

**ELKAY®**  
**ROUGH-IN**

distributed by **RESTROOM DIRECT** 704.937.2673 www.RestroomDirect.com

Rated for indoor use only

**IMPORTANT!**

EMABFWS-RF Retro-fit is designed to fit on an existing EMABF style cooler which is properly installed per the EMABF Spec Sheet rough-in information.

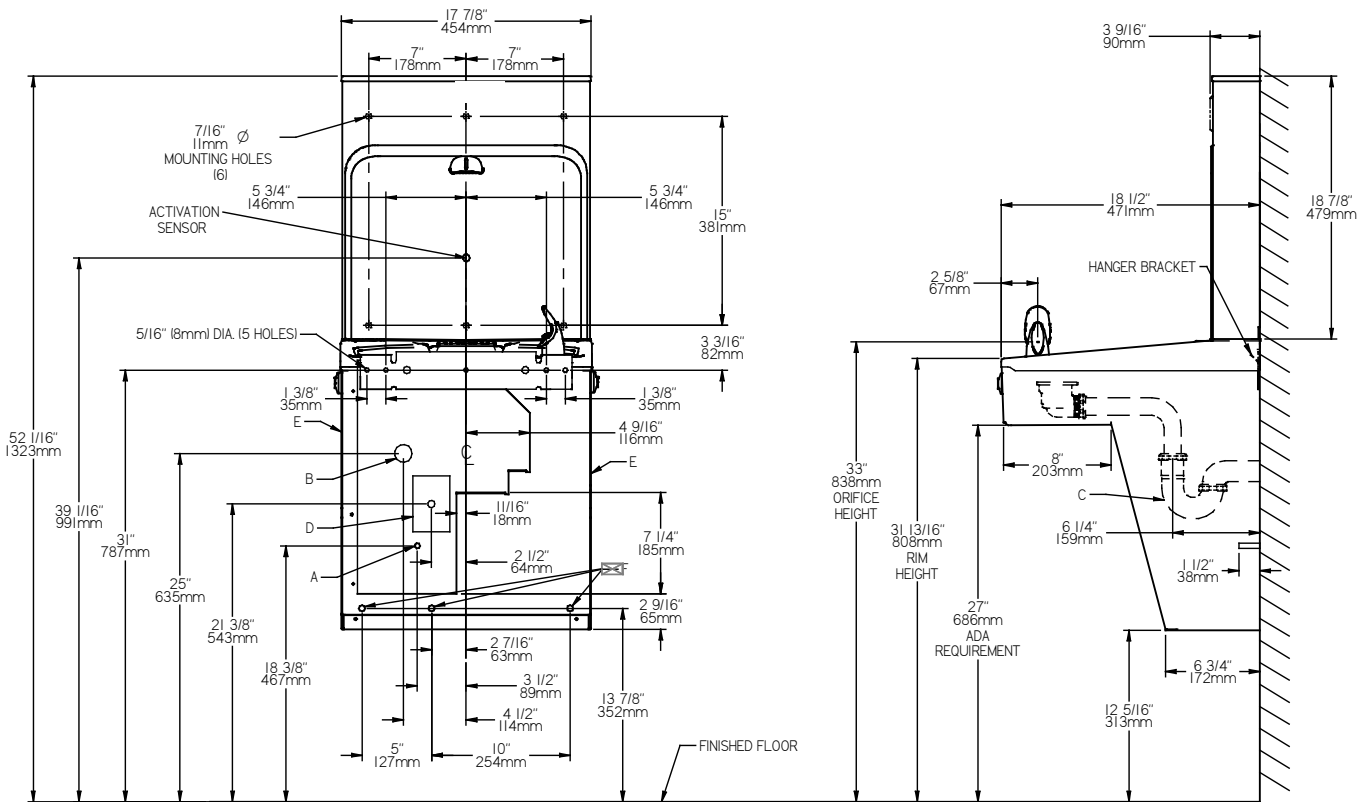
**INSTALLATION NOTES:**

- Unit will mount on bracket attached to wall as indicated by six holes shown.
- Water and electrical will route through hole punched into basin.
- Cooler must be pressurized. Bi-level and glass filler prepped units are already pressurized. Single EMABF style coolers require field update.

**ELECTRICAL**

EZH2O equipped with electrical cord and three-prong molded rubber plug for use with 15-amp minimum receptacle. Rated at 115V/60Hz, single phase.

**SINGLE COOLER RETRO-FIT**



REDUCE HEIGHT BY 3 INCHES FOR INSTALLATION OF CHILDRENS ADA COOLER

**LEGEND:**

- A = Recommended Water Supply location. Shut-off Valve (not furnished) to accept 3/8" O.D. unplated copper tube. Up to 3" (76mm) maximum out from wall.
- B = Recommended Waste Outlet location. To accommodate 1-1/4" nominal drain. Drain stub 2" (51mm) out from wall.
- C = 1-1/4" Trap (not furnished).
- D = Electrical Supply (3) Wire Recessed Box Duplex Outlet.
- E = Insure proper ventilation by maintaining 6" (152mm) minimum clearance from cabinet louvers to wall.
- F = 7/16" (11mm) Bolt Holes for fastening to wall.

\*\*New Installations Must Use Ground Fault Circuit Interrupter (GFCI).

Job Name: \_\_\_\_\_  
 Model: \_\_\_\_\_ Qty. \_\_\_\_\_  
 Contact: \_\_\_\_\_  
 Approval Signature: \_\_\_\_\_  
 Notes: \_\_\_\_\_

**EZH2O® Bottle Filling Station**  
**Retro-fit Model for EMABF Style Coolers**  
**Model EMABFWS-RF**

**ELKAY®**  
**ROUGH-IN**

distributed by **RESTROOM DIRECT** 704.937.2673 www.RestroomDirect.com

Rated for indoor use only

**IMPORTANT!**

EMABFWS-RF Retro-fit is designed to fit on an existing EMABF style cooler which is properly installed per the EMABF Spec Sheet rough-in information.

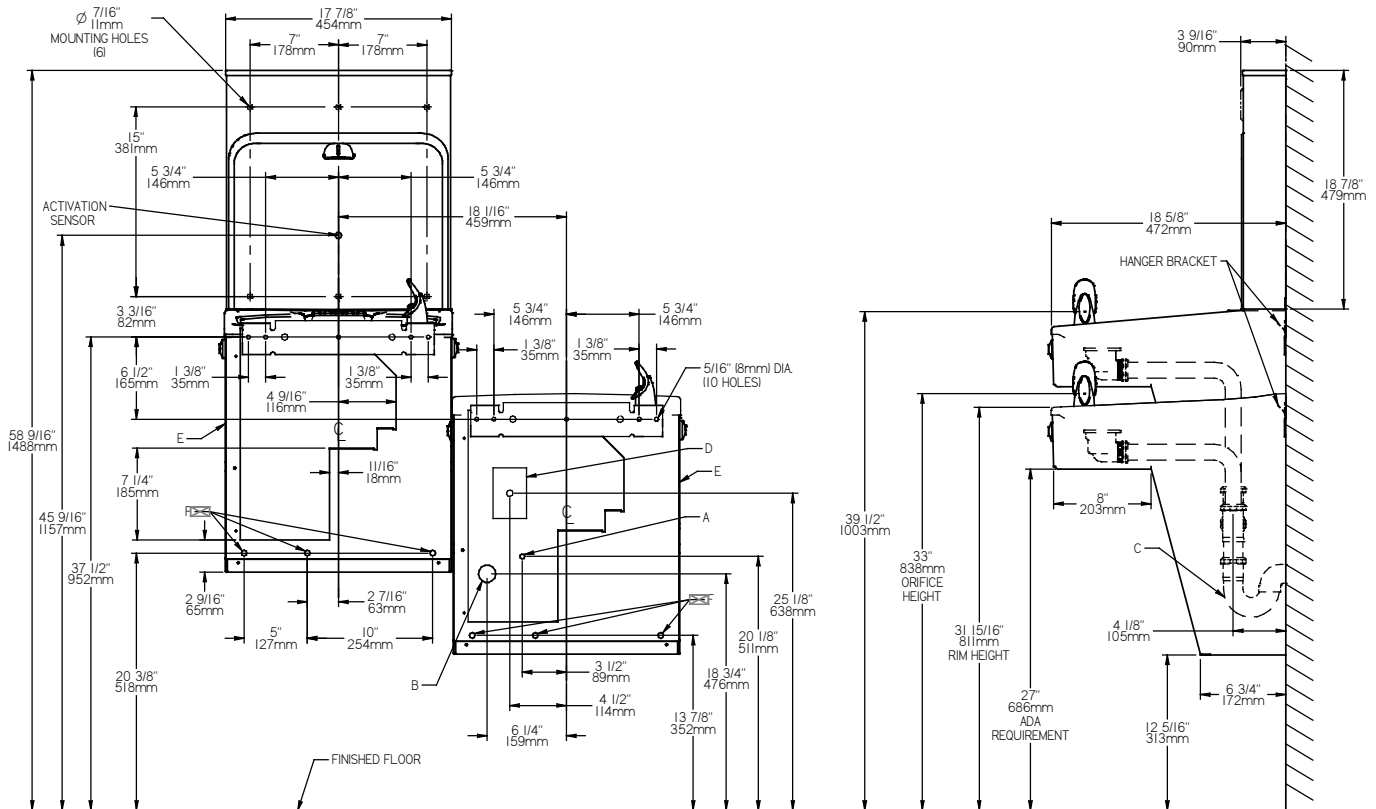
**INSTALLATION NOTES:**

- Unit will mount on bracket attached to wall as indicated by six holes shown.
- Water and electrical will route through hole punched into basin.
- Cooler must be pressurized. Bi-level and glass filler prepped units are already pressurized. Single EMABF style coolers require field update.

**ELECTRICAL**

EZH2O equipped with electrical cord and three-prong molded rubber plug for use with 15-amp minimum receptacle. Rated at 115V/60Hz, single phase.

**BI-LEVEL COOLER RETRO-FIT**



REDUCE HEIGHT BY 3 INCHES FOR INSTALLATION OF CHILDRENS ADA COOLER

**LEGEND:**

- A = Recommended Water Supply location. Shut-off Valve (not furnished) to accept 3/8" O.D. unplated copper tube. Up to 3" (76mm) maximum out from wall.
  - B = Recommended Waste Outlet location. To accommodate 1-1/2" nominal drain. Drain stub 2" (51mm) out from wall.
  - C = 1-1/2" Trap (not furnished).
  - D = Electrical Supply (3) Wire Recessed Box Duplex Outlet.
  - E = Insure proper ventilation by maintaining 6" (152mm) minimum clearance from cabinet louvers to wall.
  - F = 7/16" (11mm) Bolt Holes for fastening to wall.
- \*\*New Installations Must Use Ground Fault Circuit Interrupter (GFCI).

Job Name: \_\_\_\_\_  
 Model: \_\_\_\_\_ Qty. \_\_\_\_\_  
 Contact: \_\_\_\_\_  
 Approval Signature: \_\_\_\_\_  
 Notes: \_\_\_\_\_