

Figure 3 - Rough-in for EDFPBWM114C

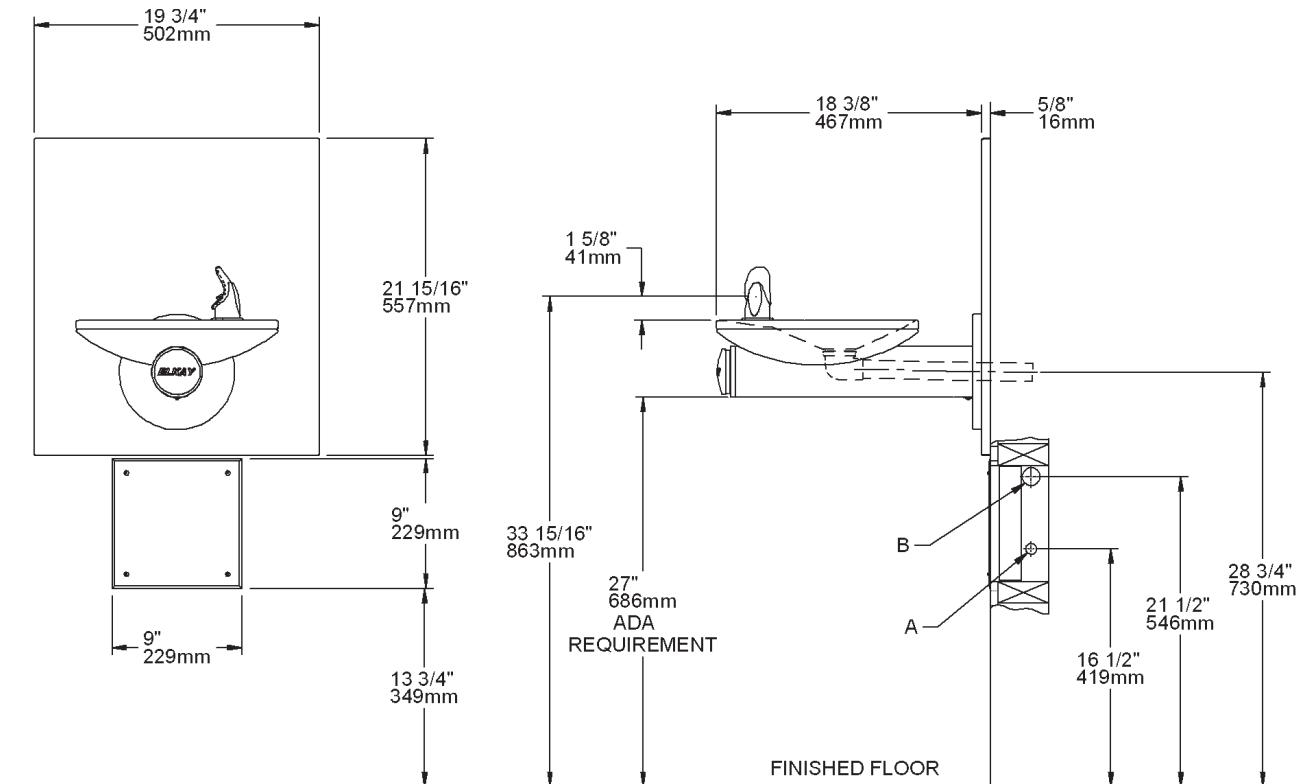
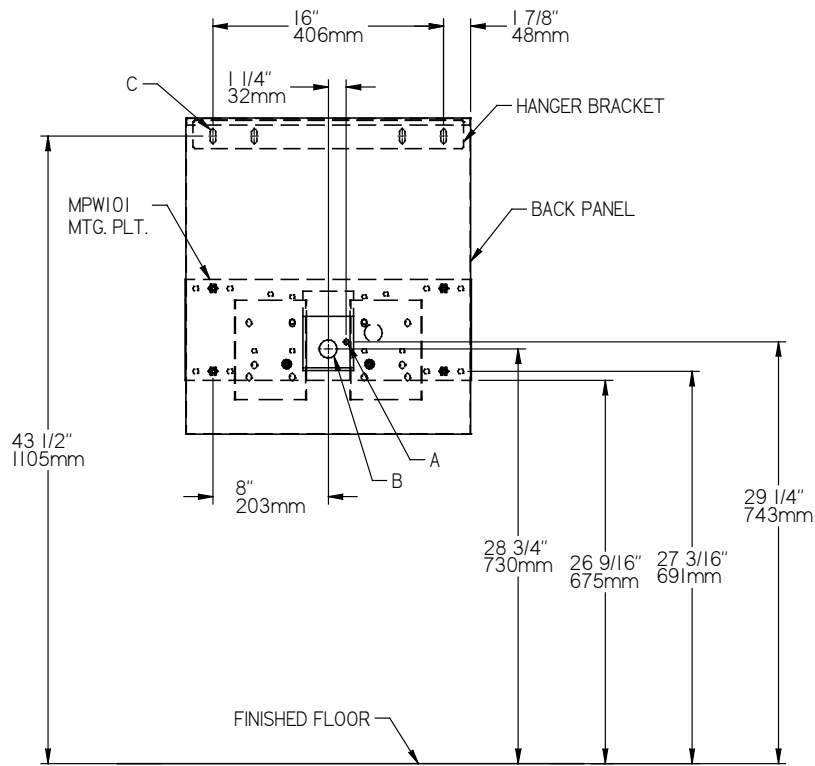


Figure 4 - Rough-in Assembly for EDFPBWM114C

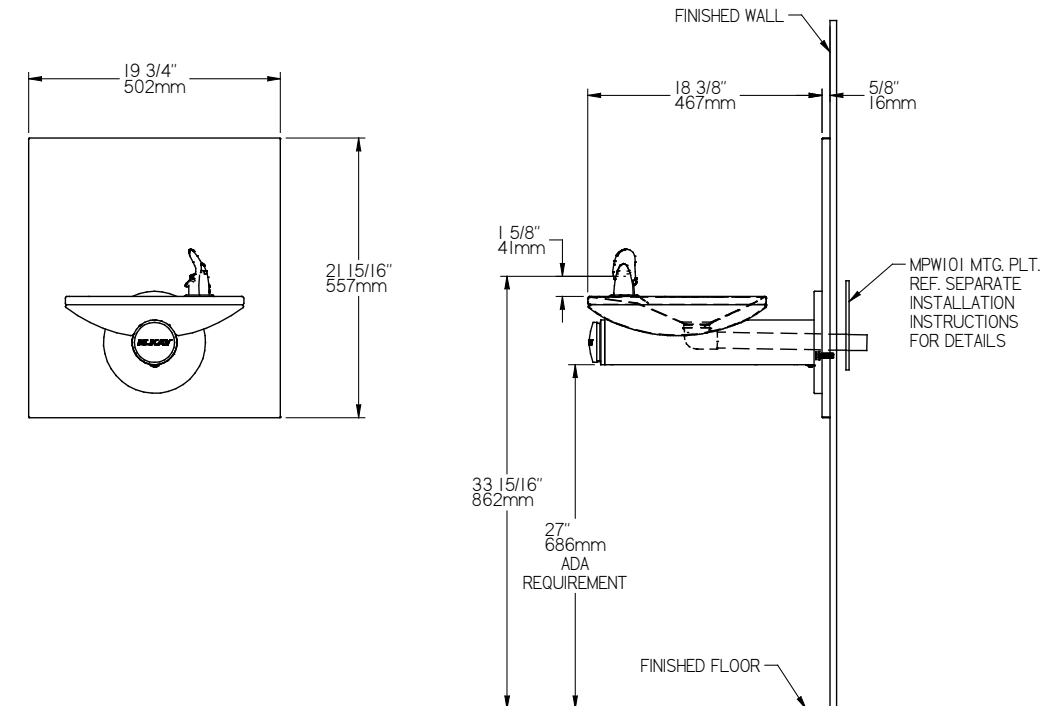
**LEGEND**

- A = Water Inlet Location Left Or Right Side. 3/8" O.D. Unplated Copper Tube Connect.
- B = Fountain Waste Location Left Or Right Side. Waste Is Shown in Wall But May Be Behind Wall. 1-1/4" O.D. Drain (Trap Not Furnished)
- C = Opening For Optional AP-99 Access Panel

NOTE: Reinforce The Wall In The Shaded Areas



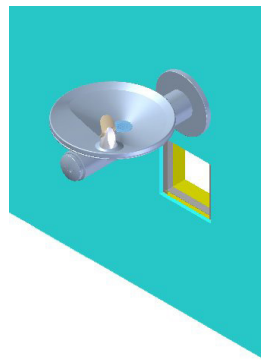
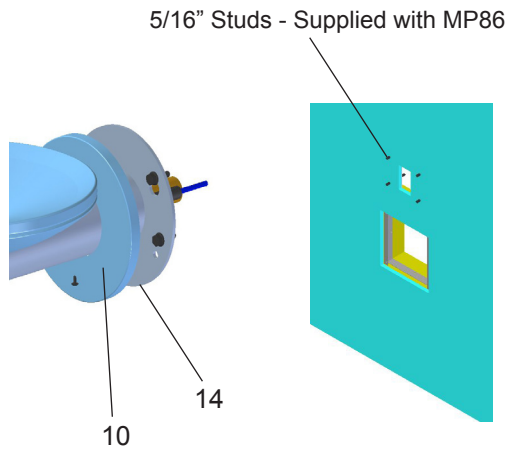
**Figure 5 -Rough-in EDFPB(V)114C W/MPW101 MOUNTING PLATE**



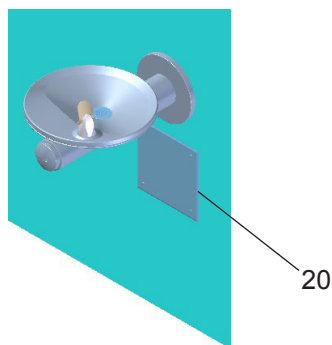
**Figure 6 -Rough-in Assembly EDFPB(V)114C W/MPW101 MOUNTING PLATE**

**LEGEND**

- A = Water Inlet Location Left Or Right Side. 3/8" O.D. Unplated Copper Tube Connect.
- B = Fountain Waste Location Left Or Right Side. Waste Is Shown in Wall But May Be Behind Wall. 1-1/4" O.D. Drain (Trap Not Furnished)
- C = 3/8" (10mm) DIA. Slots For Mounting Hanger Bracket To Wall



**Figure 7 - EDFPB114C Fountain Installation**



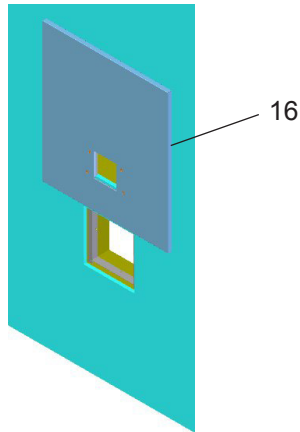
**Figure 8 - AP-99 Panel (Optional)**

### Installation Instructions: EDFPB114C W/MP86 MTG. PLT.

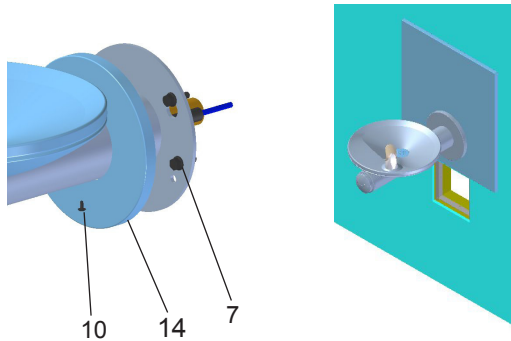
- 1. Wall** should already be framed for the fountain using the positioning dimensions shown in Figure 1. Shown dimensions pertain to installation location (framing must support up to 300 lbs. weight). These dimensions are required for compliance with ANSI Standard A117.0.
- 2. Install** rough-in plumbing as shown in Figure 1. Run supply water inlet line through the back panel. Install a service stop (not provided). Turn on supply water and flush thoroughly.
- 3. Install fountain.** Remove screw (Item 10) from cover plate and slide cover plate (Item 14) toward basin. Mount the fountain to the wall and mounting plate with (4) 5/16" hex nuts (provided with mounting plate). Tighten securely. (See Figure 7)
- 4. Determine** required length of waste line and cut to appropriate length. 1-1/4" O.D. waste tube furnished. 1-1/4" slip trap, waste elbow and extension not provided.
- 5. Make water** supply connections from service stop to the 3/8" O.D. unplated copper tube coming out of the strainer. Turn on water supply and check for leaks (See Figure 17). Newly installed water supply line should be insulated after leak check is completed.

CAUTION: DO NOT SOLDER tubes inserted into the strainer as damage to the o-rings may result.

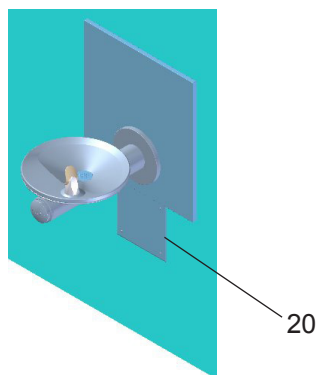
- 6. These** products are designed to operate on 20-105 PSI supply line pressure. If the inlet pressure is above 105 PSI, a pressure regulator must be installed in the supply line. Any damage caused by reason of connecting these products to supply line pressures lower than 20 PSI or higher than 105 PSI is not covered by warranty.
- 7. Check** stream height from bubbler. Stream height is factory set at 35 PSI. If supply pressure varies greatly from this, remove push button (Item 3 - Figure 14) and adjust the screw on the regulator (Item 18 - Figure 14). To remove push button, remove setscrew from bottom of sleeve (Item 15). Insert a small punch in screw hole and push up while grasping the push button and pull forward removing the push button. Clockwise adjustment will raise stream height and counterclockwise movement will lower stream height. For best adjustment stream should hit basin approximately 6-1/2" from the bubbler. Reassemble push button by pushing in on button until the push button catches in the sleeve. Reinstall the setscrew (Item 6) in the sleeve (Item 15).



**Figure 9 - Panel Installation**



**Figure 10 - Fountain Installation**

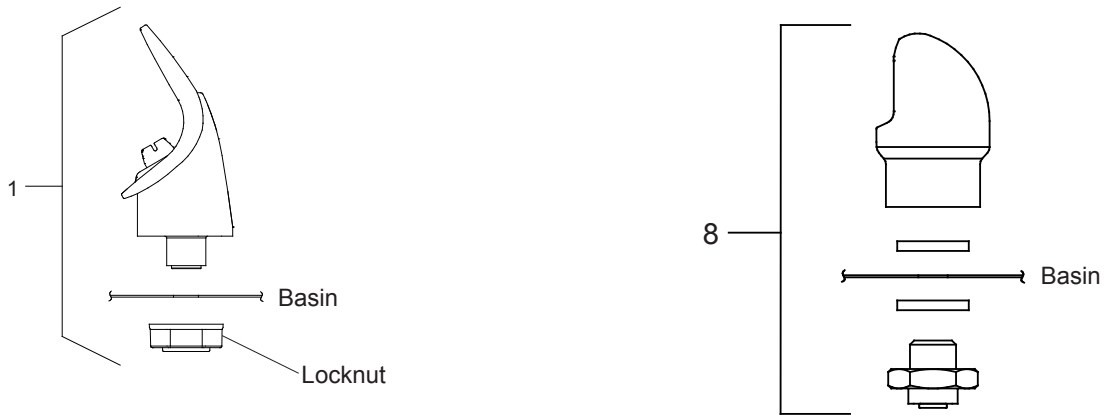


**Figure 11 - AP-99 Panel (Optional)**

## Installation Instructions:

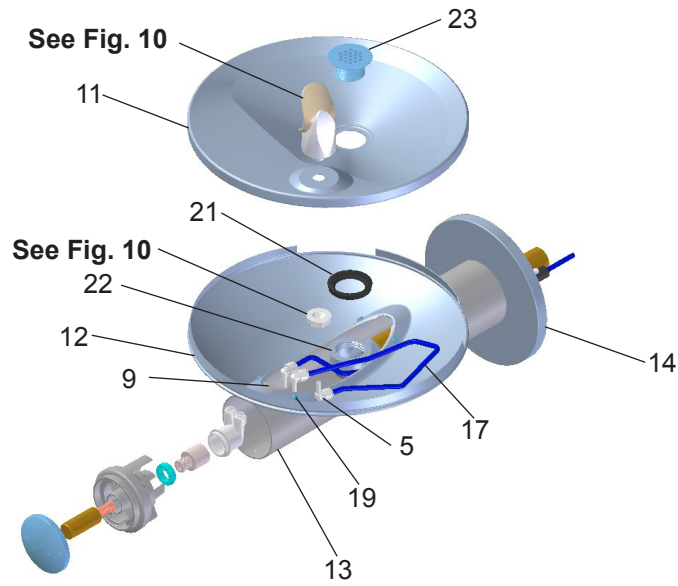
### EDFPBWM114C/EDFPB114 W/MPW101 MTG. PLT.

- Fountains using the MPW Mounting Plate** refer to Figure 5 for hanger bracket location and rough-in dimensions.  
**NOTE:** Review separate installation instructions for details of the MPW Mounting Plate.  
**Fountains using the Wall Plate Assy.** refer to Figure 3 for rough-in dimensions.
- Shown dimensions pertain to installation location (framing must support up to 300 lbs. weight). These dimensions are required for compliance with ANSI Standard A117.0.
- Install** rough-in plumbing as shown in Fig's. 3 or 5. Run supply water inlet line through the back panel. Install a service stop (not provided). Turn on supply water and flush thoroughly.
- Installing back panel.**  
**Ftn. w/MPW Mounting Plate:** Refer to Fig. 16 for placement of braces onto back panel. Place the upper edge of the panel above the hanger bracket. Slide the panel down until it engages the hanger bracket. Be sure back panel is firmly engaged before releasing it.  
**Ftn. w/Wall Plate Assy.:** Place the upper edge of the panel above mounting plate on the wall. Slide the panel down until it engages the mounting plate. Be sure back panel is firmly engaged before releasing it. (See Figure 9)
- Install fountain.** Remove screw (Item 10) from cover plate and slide cover plate (Item 14) toward basin. (See Figure 10)  
**Ftn. w/MPW Mounting Plate:** Mount the fountain to the back panel and wall using (4) 5/16" x 6" long threaded rods, washers, and nuts (provided). Tighten securely.  
**Ftn. w/Wall Plate Assy.:** Mount the fountain to the back panel and wall plate assy. with (4) 5/16" x 1" (25mm) long screws (Item 7 - provided). Tighten securely.
- Determine** required length of waste line and cut to appropriate length. 1-1/4" O.D. waste tube furnished. 1-1/4" slip trap, waste elbow and extension not provided.
- Make water** supply connections from service stop to the 3/8" O.D. unplated copper tube coming out of the strainer. Turn on water supply and check for leaks (See Figure 17). Newly installed water supply line should be insulated after leak check is completed.  
  
**CAUTION: DO NOT SOLDER** tubes inserted into the strainer as damage to the o-rings may result.
- These** products are designed to operate on 20-105 PSI supply line pressure. If the inlet pressure is above 105 PSI, a pressure regulator must be installed in the supply line. Any damage caused by reason of connecting these products to supply line pressures lower than 20 PSI or higher than 105 PSI is not covered by warranty.
- Check** stream height from bubbler. Stream height is factory set at 35 PSI. If supply pressure varies greatly from this, remove push button (Item 3 - Figure 14) and adjust the screw on the regulator (Item 18 - Figure 14). To remove push button, remove setscrew from bottom of sleeve (Item 15). Insert a small punch in screw hole and push up while grasping the push button and pull forward removing the push button. Clockwise adjustment will raise stream height and counterclockwise movement will lower stream height. For best adjustment stream should hit basin approximately 6-1/2" from the bubbler. Reassemble the push button by pushing in on button until the push button catches in the sleeve. Reinstall the setscrew (Item 6) in the sleeve (Item 15).

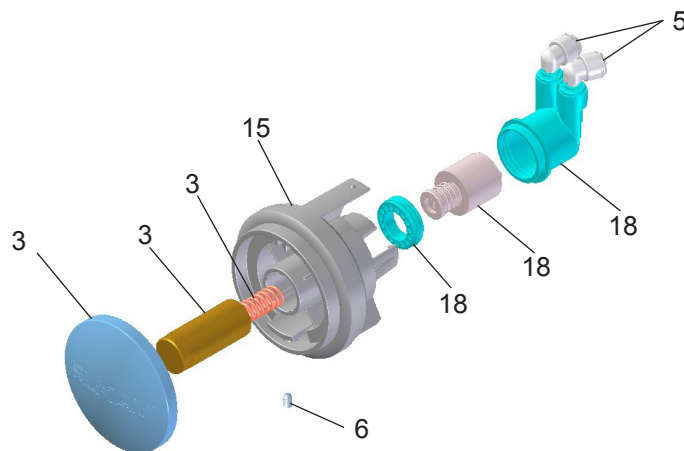


**NOTE:**  
When installing replacement bubbler and pedestal, tighten locknut only to hold parts snug in position. **Do Not overtighten.**

**Figure 12 - Bubbler Details**



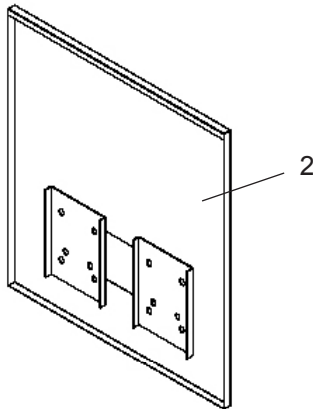
**Figure 13 - Fountain Body**



**Figure 14 - Push Button**

PARTS LIST		
ITEM NO.	PART NO.	DESCRIPTION
1	56073C	Bubbler Assy
2	28843C	Back Panel Assy EDFPBW(V)114C
3	98871C	Kit- Push Button/Spring/Pin/Washer
4	55996C	Strainer
5	1000001772	Kit - Elbow 1/4 Stem x 1/4 (3 Pcs) 70817C
6	75632C	Setscrew - #10-32 x .31
7	75560C	Screw - 5/16-18 x 1.00 HHMS
8	97446C	VR Bubbler Assy
9	38417001	Screw - #8-18 x .37 HHSM
10	70432C	Screw - #8-32 x .38 THSM
11	28708C	Basin - Swirlflow
12	28473C	Lower Shell
13	45767C	Fountain Body
14	28343C	Cover Plate
15	45781C	Sleeve
16	28397C	Back Panel
17	56092C	Poly Tubing (Cut To Length)
18	98530C	Kit - Regulator/Holder/Nut
19	111008343890	Screw - #10-24 x .62 HHMS
20	AP99	AP-99 Panel (Optional)
21	56163C	Gasket - Drain
22	0000000930	Assy - Drain/Tailpipe
23	45768C	Plug - Drain 1-1/2"
NS	27089C	Hanger Bracket

NS = NOT SHOWN

**Figure 16 – Back Panel Assembly**

**Installing Back Panel:** When installing back panel assy. (Item 2) with MPW (Mounting Plate), attach channel braces as shown above. Remove the protective backing from the tape installed on the braces. Line up the corresponding holes in the braces and back panel and press firmly in place.

**TROUBLESHOOTING & MAINTENANCE**

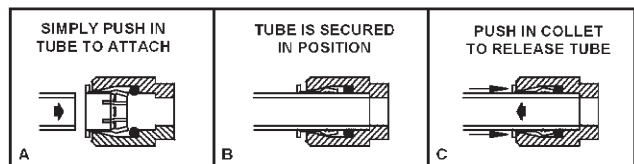
**Orifice Assembly:** Mineral deposits on orifice can cause water flow to spurt or not regulate. Mineral deposits may be removed from the orifice by poking with a small round file not over 1/8" diameter, or using a small diameter wire.

**CAUTION:**

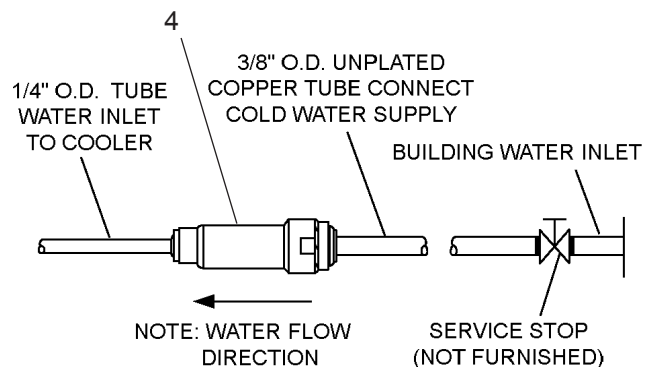
**DO NOT file or cut orifice material.**

**Stream Regulator:** If orifice is clean, regulate flow as in Step 8 of the installation instructions. If replacement is necessary, see parts list for correct regulator part number.

**Actuation of Quick Connect Water Fittings: Cooler** is provided with lead-free connectors which utilize an o-ring water seal. To remove tubing from the fitting, relieve water pressure, push in on the gray collar while pulling on the tubing. (See Figure 15) To insert tubing, push tube straight into fitting until it reaches a positive stop (approximately 3/4").

**OPERATION OF QUICK CONNECT FITTINGS**

PUSHING TUBE IN BEFORE PULLING IT OUT HELPS TO RELEASE TUBE

**Figure 15 – Quick Connect Fittings****Figure 17 – Water Supply Connections**

FOR PARTS, CONTACT YOUR LOCAL DISTRIBUTOR OR CALL 1.800.834.4816  
REPAIR SERVICE INFORMATION TOLL FREE NUMBER 1.800.260.6640

ELKAY MANUFACTURING COMPANY • 2222 CAMDEN COURT • OAK BROOK, IL 60523 • 630.574.8484 • www.elkay.com