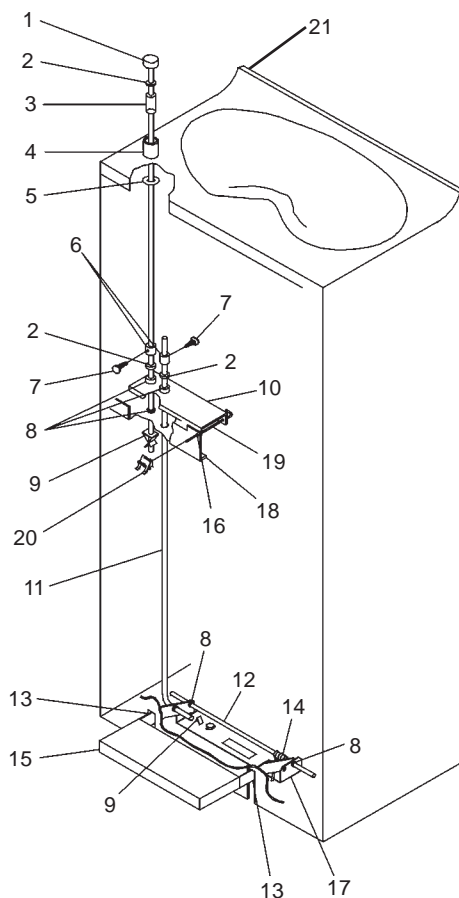


### FOOT PEDAL REPLACEMENT PARTS



#### PARTS LIST

ITEM NO.	QTY.	PART NO.	DESCRIPTION
1	1	101431042590	Cap & Rod Assy.
2	3	75531C	Rubber Washer
3	1	70088C	Spring
4	1	50003C	Snap Bushing
5	1	70054C	Speed Nut
6	2	10003C	Push Button Stop
7	2	70021C	Set Screw - #8-32 x .25
8	5	50014C	Bearing - Foot Pedal Rod
9	2	71036C	Clip
10	1	22591C	Lever Arm
11	1	10035C	Actuator Rod
12	1	10004C	Foot Pedal Support Rod
13	2	50161C	Bumper
14	1	70707C	Spring
15	1	26832C	Foot Pedal Assy.
16	2	50198C	Snap Bushing
17	1	26934C	Foot Pedal Bracket
18	1	22592C	Regulator Mounting Bracket
19	1	70831C	Support Rod
20	1	75555C	Clip
21	1	20728C	Basin
-	1	20715C	Basin w/GF Hole

PRINTED IN U.S.A.

FOR PARTS, CONTACT YOUR LOCAL DISTRIBUTOR OR CALL 1.800.323.0620

ELKAY MANUFACTURING COMPANY • 2222 CAMDEN COURT • OAK BROOK, IL 60523 • 630.574.8484