

# EXTREMEAIR ADA



## Hi-Speed Surface-Mounted ADA Compliant Hand

American Dryer's **EXTREMEAIR ADA™** delivers ADA compliance along with all the features important to every washroom environment. Its high intensity single port nozzle provides a fast 12 second dry time and uses only 950 watts of power. Additionally, its HEPA filtration system and antimicrobial technology reduces contaminants in the air while drying. The ability to adjust the sound and speed of each model, its global universal voltage and simple surface mounted design make installation easy.

### Product Benefits

- Automatic surface-mounted ADA compliant simplifies installation and reduces installation costs
- High intensity single port nozzle
- 12 second dry time
- HEPA\* filter reduces contaminants in the air when hand drying
- Incorporates SteriTouch® antimicrobial technology inhibiting the growth of bacteria, mold and fungus extending the dryer's service life
- Adjustable two speed controls to customize drying time, sound level and energy savings
- Universal voltage – accepts 110-120 / 208 / 220-240 VAC input
- Energy efficient utilizing only 950 watts of power
- IP24 rating - protection against harmful water ingress
- Replaceable motor brushes extends product life
- Optional adapter kit<sup>1</sup> for top-entry surface-mounted conduit
- Durable and vandal resistant



### Architecture & Engineering Specifications

**EXTREMEAIR ADA™** hand dryer by American Dryer Corporation shall include a cover constructed of either die-cast aluminum finished with epoxy paint or stainless steel. The wall mounting plate shall be constructed of die-cast aluminum finished with chrome plating. Epoxy painted covers and molded plastic components shall incorporate SteriTouch® antimicrobial technology inhibiting the growth of bacteria, mold and fungus extending the dryer's service life. The cover shall be attached to the wall mounting plate with tamper-proof screws. Motor shall be a thermally-protected universal brush type motor operating at 31,000 RPM and delivering 64 CFM air flow at a velocity of 225 MPH (19,800 LFM). Motor shall have replaceable brushes for extending service life. Dryer shall incorporate universal controls accepting 115 / 208 / 230VAC input. Dryer will incorporate a nichrome wire heating element protected by an automatic resetting thermal cutoff. Dryer will include a replaceable HEPA (high efficiency particulate air) filter. Dryer shall be activated by an automatic infrared sensor with a 30 second vandal shut-off. Control board shall contain a HI / LOW speed control switch. Dryer shall provide an exit air temperature of 130°F at an ambient temperature of 70°F. Dryer shall have an ingress protection rating of IP24. Hand dryer shall be surface-mounted ADA (Americans with Disabilities Act) compliant and certified to standards of safety by Underwriters Laboratories, Inc. and Canadian Standards Association.

### Electrical specifications:

	110-120 V	208 V / 220-240 V
Amps	8.3	4.1
Watts	950	950
Hz	50/60	50/60

### Cover options:

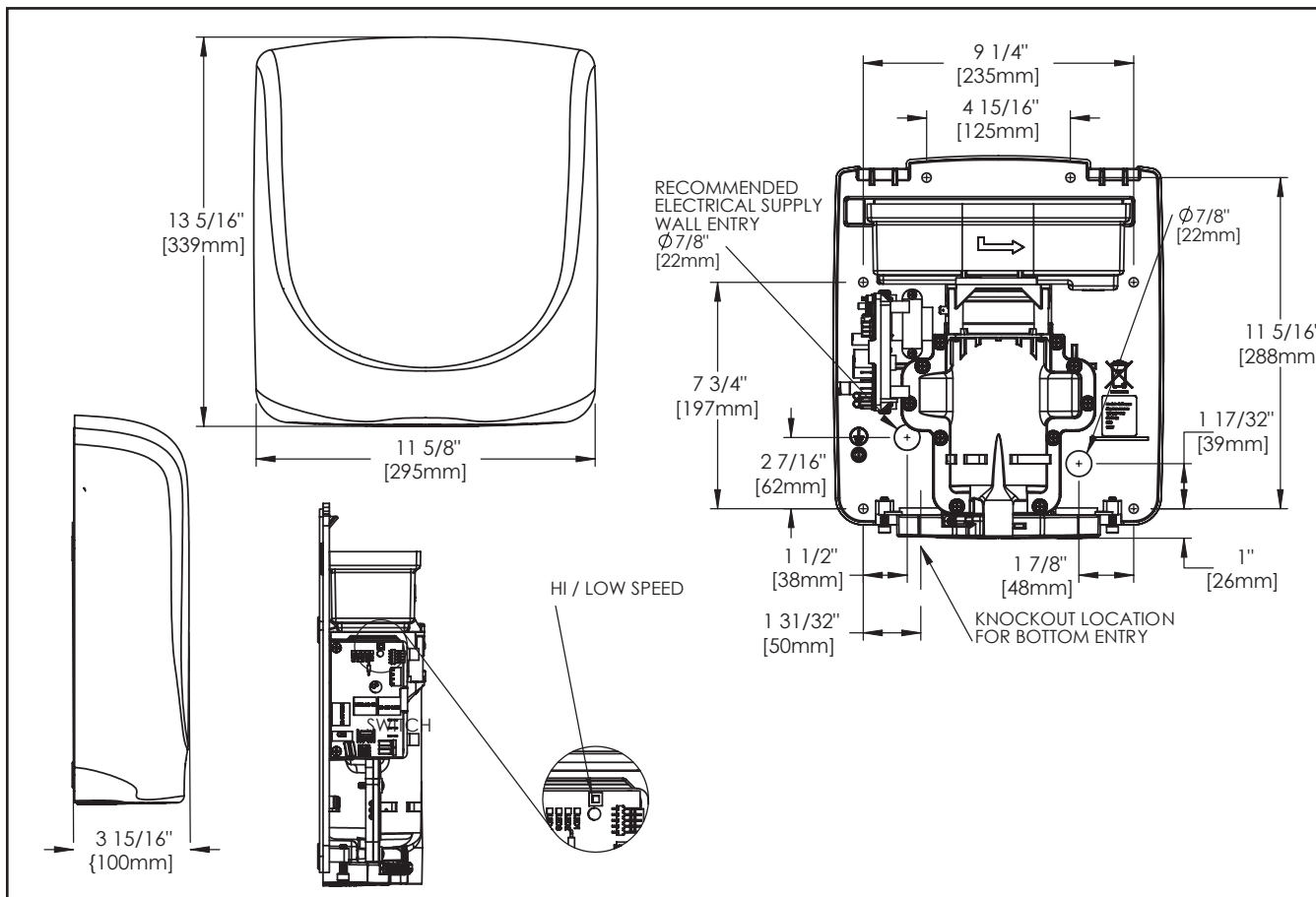
- Cast Aluminum** - with epoxy paint (white or black)
- Stainless Steel** - with polished or brushed finish

\* HEPA filter removes a minimum of 99.97% of contaminants 0.3 microns in size or larger.



<sup>1</sup> The top entry adapter is used only where top entry surface mounted electrical connections are required. To meet ADA requirements when installed with the top entry adapter, do not install in walks, halls, corridors, passageways or aisles.

Cover Material	Cover Finish / Kit	110-120 / 208 / 220-240 V	Unit Weight	Shipping Weight	Unit Size (HxWxD) inch/mm	Shipping Size (HxWxD) inch/mm
Aluminum	White	AXT-DW	9.8 lbs / 4.4 kgs	11.9 lbs / 5.4 kgs	13.3" x 11.6" x 3.9" 339 x 295 x 100	14.2" x 16" x 6.7" 360 x 405 x 170
Aluminum	Black	AXT-DB	9.8 lbs / 4.4 kgs	11.9 lbs / 5.4 kgs	13.3" x 11.6" x 3.9" 339 x 295 x 100	14.2" x 16" x 6.7" 360 x 405 x 170
Stainless Steel	Polished	AXT-SP	11.3 lbs / 5.1 kgs	13.4 lbs / 6.1 kgs	13.3" x 11.6" x 3.9" 339 x 295 x 100	14.2" x 16" x 6.7" 360 x 405 x 170
Stainless Steel	Brushed	AXT-SS	11.3 lbs / 5.1 kgs	13.4 lbs / 6.1 kgs	13.3" x 11.6" x 3.9" 339 x 295 x 100	14.2" x 16" x 6.7" 360 x 405 x 170
Optional Top Entry Adapter Kit		17-10310K	3.8 lbs / 1.7 kgs	5.2 lbs / 2.3 kgs	13.4" x 14.3" x 1.2" 339 x 364 x 30	14.8" x 16" x 4.5" 375 x 405 x 114
HEPA Filter		93-10292K	0.4 lbs / 0.9 kgs	0.7 lbs / 1.5 kgs	9" x 3.3" x 3" 229 x 84 x 76	9.4" x 3.5" x 3.5" 240 x 90 x 90



**Placement Instruction**

- Hand dryers should be spaced at least 2 feet apart, near but not over the wash basin
- In congested areas, dryers should be located to create a flow from wash basin to dryer to exit
- *EXTREMEAIR ADA* should be mounted at least 18" above or away from reflective surfaces which may interfere with the automatic sensor operation.
- Dryer Quantity Recommendation:  
Average Traffic: 1 dryer per 2 wash basins  
Heavy Traffic: 1 dryer per wash basin  
Industrial 54" Circular wash fountains: 4 dryers per sink
- Recommended mounting heights from floor to dryer bottom edge

Men's washrooms	44" (112 cm)
Women's washrooms	42" (107 cm)
Children's washrooms	32" - 42" (81 cm - 107 cm)
Handicap Mounting Height	36" (91 cm)

**Installation Guide**

- *EXTREMEAIR ADA* hand dryers require a dedicated circuit and must be properly grounded
- GFI circuit protection is recommended.
- One side of dryer should be mounted to a stud

**Certifications**



**IP24**



**Warranty**



5 year limited warranty



5700 McDermott Drive  
Berkeley, IL 60163 U.S.A.  
800-485-7003  
www.americandryer.com

