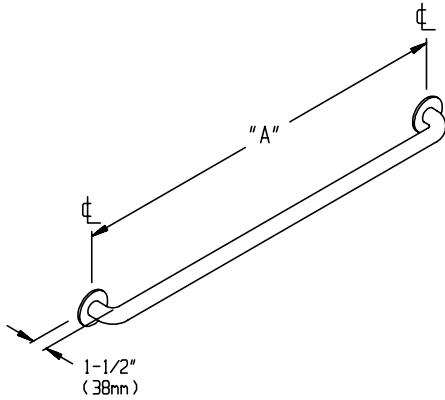


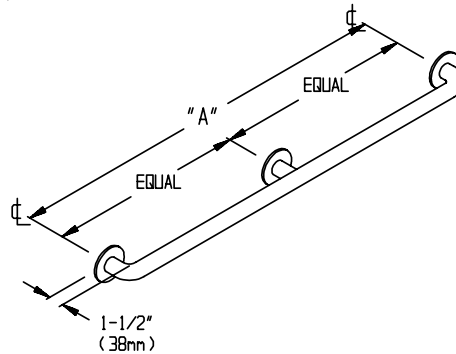


GRAB BAR CONFIGURATIONS

Type 01



Type 02



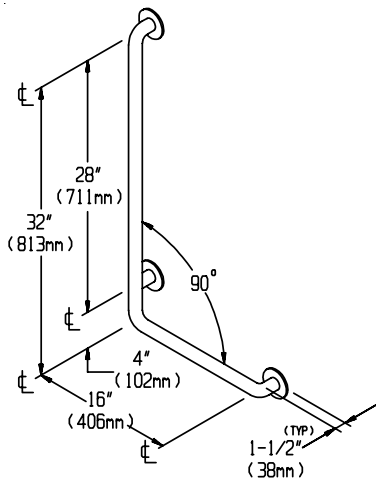
SCHEDULE

QTY.	DIM. A	QTY.	DIM. A
			30" (762mm)
	12" (305mm)		36" (914mm)
	18" (457mm)		42" (1067mm)
	24" (610mm)		48" (1219mm)

SCHEDULE

QTY.	DIM. A
	52" (1321mm)
	54" (1372mm)
	60" (1524mm)
	72" (1829mm)

Type 04

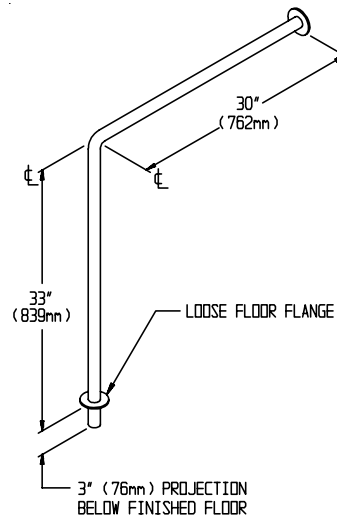


LEFT HAND SHOWN,
RIGHT HAND OPPOSITE

HAND	QTY. REQ'D.
L.H.	
R.H.	

MODEL N^o MUST SPECIFY -LH OR -RH

Type 15

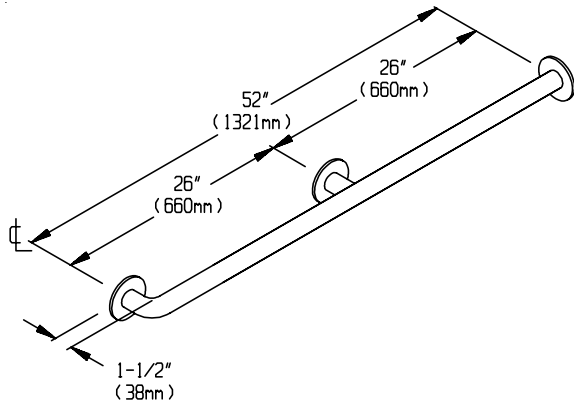


Contractor to provide proper sleeve in floor x 3" long to accept bar O.D. specified.

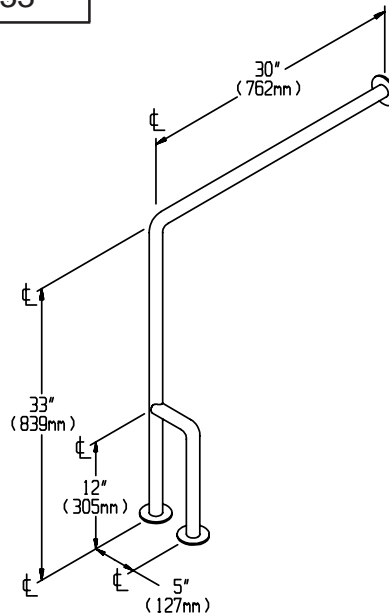


GRAB BAR CONFIGURATIONS

Type 24



Type 33

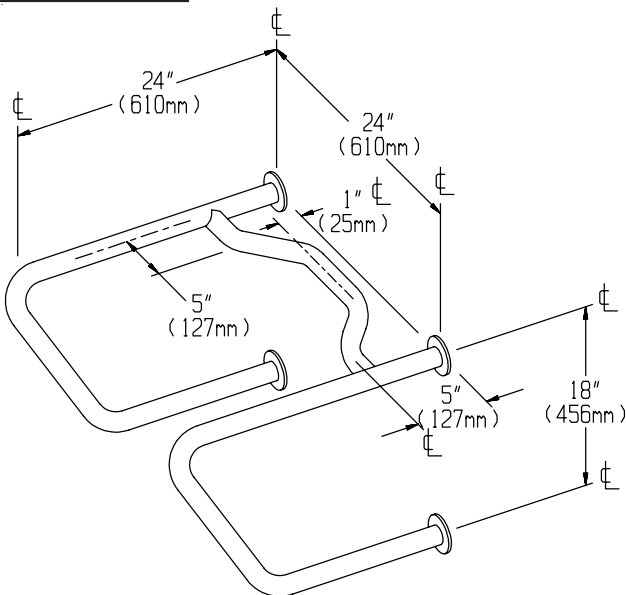


RIGHT HAND SHOWN,
LEFT HAND OPPOSITE

HAND	QTY. REQ'D.
L.H.	
R.H.	

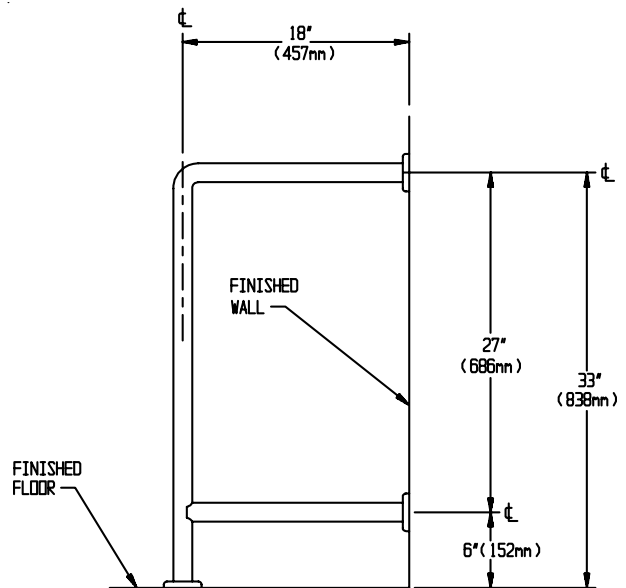
MODEL N^o MUST SPECIFY -LH OR -RH

Type 34



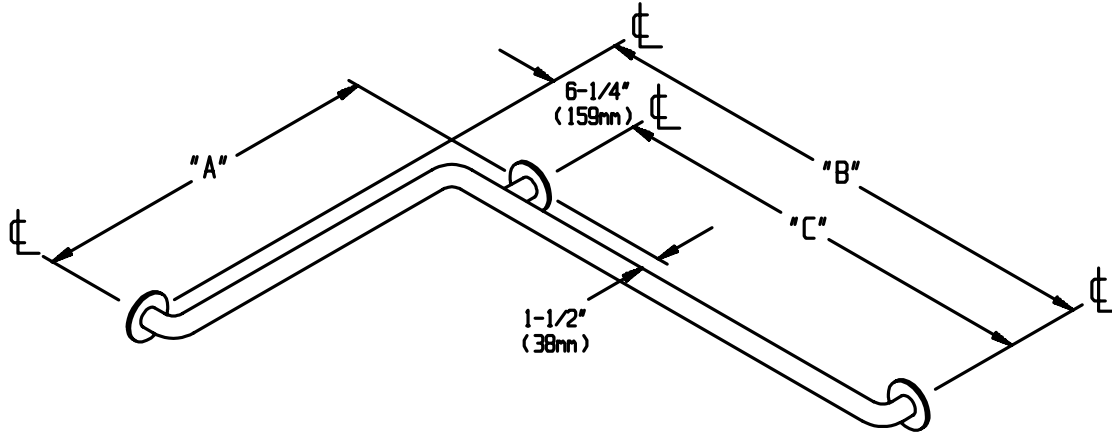
FOR BEDPAN FLUSH VALVE USE

Type 75



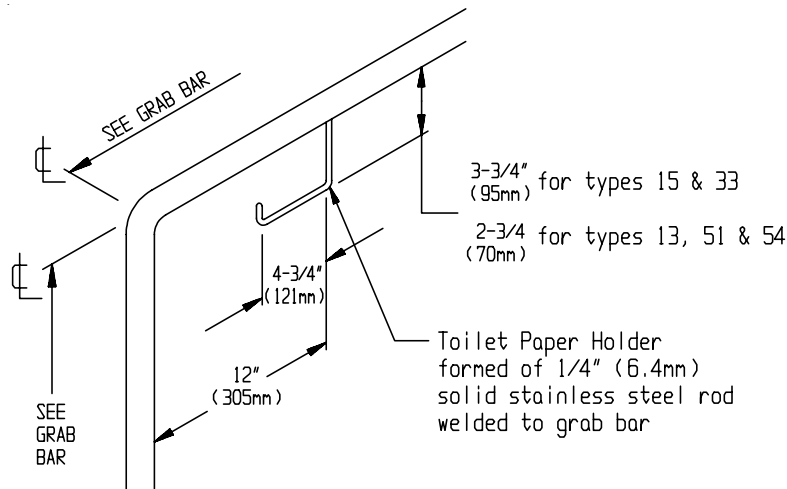


GRAB BAR CONFIGURATIONS



TYPE	A	B	C
50	24" (610mm)	36" (914mm)	29-3/4" (756mm)
56	36" (914mm)	54" (1372mm)	47-3/4" (1213mm)
57	42" (1069mm)	54" (1372mm)	47-3/4" (1213mm)
60	18" (457mm)	30" (762mm)	23-3/4" (603mm)
74	18-1/8" (460mm)	33-1/8" (841mm)	26-7/8" (683mm)

Option 25



Option 25 Toilet Paper Holder is welded on to Grab Bars of the Swing Up or Swing Away configurations 3413, 3451, 3454 and Fixed Types 15, 33