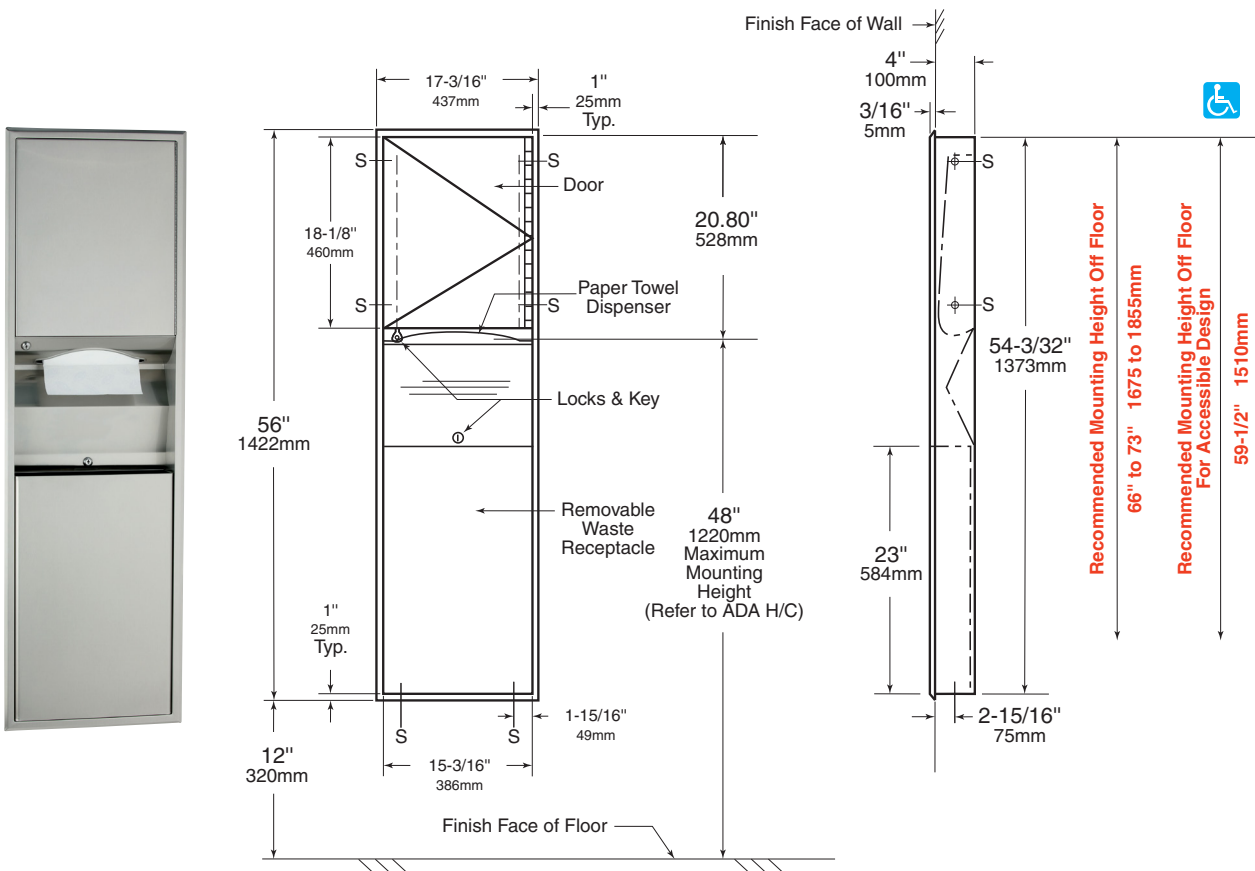



**Technical Data**

# ClassicSeries® RECESSED CONVERTIBLE PAPER TOWEL DISPENSER AND WASTE RECEPTACLE

# B-3940


**Rough Wall Opening**

16" (406mm) wide  
54-3/4" (1390mm) high  
4" (100mm) minimum  
recessed depth

**MATERIALS:**

**Cabinet** — 18-8, Type-304, heavy-gauge stainless steel. Welded construction. Exposed surfaces have satin-finish.

**Flange** — 18-8, Type-304, 22-gauge (0.8mm) stainless steel with satin-finish. Drawn and beveled, one-piece, seamless construction.

**Door** — 18-8, Type-304, 22-gauge (0.8mm) stainless steel with satin-finish. Double-pan-back construction. Secured to cabinet with a full-length stainless steel piano-hinge. Equipped with a semi-concealed tumbler lock keyed like other Bobrick washroom accessories.

**Paper Towel Dispenser** — 18-8, Type-304, 22-gauge (0.8mm) stainless steel with satin-finish. Rounded towel tray has hemmed opening to dispense paper towels without tearing. Capacity: 600 C-fold or 800 multifold paper towels.

**Optional:** Order Bobrick Model No. 3944-130 TowelMate® available as an optional accessory. TowelMate accessory allows for paper towels to dispense one at a time without bulging or sagging, or falling through the towel tray opening. The 90 degree return on the towel guide prevents papers from falling forward and out when door is opened for servicing. TowelMate fits Gamco and most other manufacturers'.

continued . . .

**Waste Receptacle** — 18-8, Type-304, 22-gauge (0.8mm) stainless steel with satin-finish. Front and sides of bottom and all top edges are hemmed for safe handling. Secured to cabinet with a tumbler lock keyed like other Bobrick washroom accessories. Capacity: 6 gal (22.7-L).

#### **OPERATION:**

Paper towel dispenser accommodates C-fold or multifold paper towels without adjustment or use of adapters. To adapt to changing needs of washrooms, this unit is field convertible with the Universal, Touch-Free Roll Towel Dispenser or Universal, Automatic Roll Towel Dispenser. To order convertible modules, reference part numbers below under Options.

To empty waste receptacle, unlock with key provided.

#### *Options:*

- Universal Touch-Free Roll Towel Dispenser Module convertible in field: order Bobrick Part No. 3961-50.
- Automatic, Universal Roll Towel Dispenser Module convertible in field: order Bobrick Part No. 3974-250.
- 12 gal waste receptacle: order Bobrick Part No. 367-60
- LinerMate for 12-gal waste only: order Bobrick Part No. 3944-134.
- 18-gallon Waste Receptacle: order Bobrick Part No. 368-60, with reusable vinyl liner Part No. 368-16.

#### **INSTALLATION:**

Provide framed rough wall opening 16" wide x 54-3/4" high (406 x 1390mm). Minimum recessed depth required to finish face of wall is 4" (102mm). Allow clearance for construction features that may protrude into rough wall opening from opposite wall. Coordinate with mechanical engineer to avoid pipes, vents, and conduits. If unit projects above top of wainscot, provide aluminum channel or other filler to eliminate gap between flange and finish face of wall. Mount unit in wall opening with shims between framing and cabinet at all points indicated by an S, then secure unit with #8 x 1-1/4" (4.2 x 32mm) sheet-metal screws (not furnished).

#### **SPECIFICATION:**

Recessed convertible paper towel dispenser and waste receptacle shall be Type-304 stainless steel with welded construction; exposed surfaces shall have satin finish. Flange shall be drawn and beveled, one-piece, seamless construction. Door shall be secured to cabinet with a full-length stainless steel piano-hinge and equipped with a semi-concealed tumbler lock keyed like other Bobrick washroom accessories. Paper towel dispenser shall dispense 600 C-fold or 800 multifold paper towels. Removable waste receptacle shall be secured to cabinet with a tumbler lock, have front and side edges of bottom and all top edges hemmed for safe handling, and shall have a minimum capacity of 6 gal (22.7-L).

**Recessed Convertible Paper Towel Dispenser And Waste Receptacle shall be Model B-3940 of Bobrick Washroom Equipment, Inc., Clifton Park, New York; Jackson, Tennessee; Los Angeles, California; Bobrick Washroom Equipment Company, Scarborough, Ontario; Bobrick Washroom Equipment Pty. Ltd., Australia; and Bobrick Washroom Equipment Limited, United Kingdom.**