



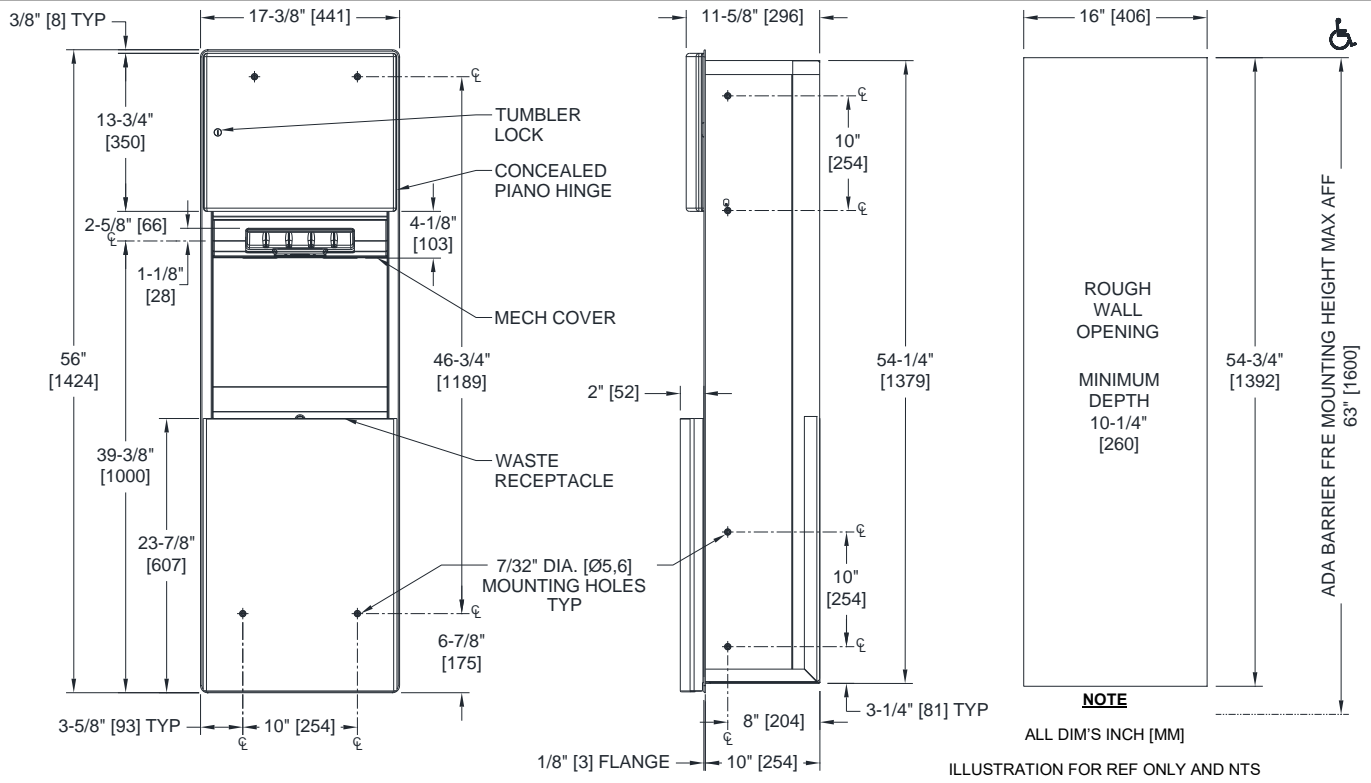
AMERICAN SPECIALTIES, INC.
 441 Saw Mill River Road, Yonkers, NY 10701
 (914) 476.9000 • (914) 476.0688
 www.americanspecialties.com

MODEL №: 204692A

ISSUED: OCT 2009

REVISED: 21 OCT 2021

ROVAL™ RECESSED AUTOMATIC ROLL PAPER TOWEL DISPENSER & WASTE RECEPTACLE



SPECIFICATION

Roval™ Collection Recessed Automatic Roll Paper Towel Dispenser and Waste Receptacle shall hold and dispense one 8" [203] wide x 8" Dia. [Ø203] standard towel roll up to 800 ft. (244m) long and one 8" wide [203] stub roll up to 4" Dia. [Ø102] and shall have a waste capacity of 17.75 gallons (67.2 L). Cabinet full door shall be drawn seamless and shall have bowed front face and gently radiused edges to provide added strength and complimentary appearance for modern washroom aesthetics. Automatic Touchless Roll Towel Dispenser shall be powered by four (4) D-size batteries (not supplied) and shall operate automatically to activate towel dispensing when hands are placed in sensor zone from 1/2" [13] below sensor to 4-1/2" [114] below sensor. At each activation unit shall feed out a length of towel selected by owner by setting length, delay and paper saver switches. Unit shall have an internal towel cut-off bar. Cabinet and frame shall be 22 gage type 304 stainless steel alloy 18- 8. Towel dispenser door and waste receptacle shall be 18 gage same grade and door shall have a full return and formed sill at bottom edge for user safety. All exposed surfaces shall have satin finish protected by PVC film easily removed after installation. Door shall be attached to cabinet at side with a full-length 1/8" Dia. [Ø3,1] stainless steel multi-staked piano hinge and shall be held closed with a flush rimless tumbler lock keyed alike to other ASI washroom equipment. Internally concealed doorstop shall prevent over-swing when opened rapidly. Removable waste receptacle with internal bag-hanger hooks shall have a complimentary bowed front face and gently radiused edges and fully hemmed top edge for safety and a rear handle for service ease and is retained by a tumbler lock keyed alike to other ASI washroom equipment. Face trim shall be 1" [25] wide formed from one piece with no miters, welding or open seams and have 1/8" [3,1] radiused return to wall. Structural assembly of all components shall be of welded construction. Cabinet shall have no exposed fastening devices or spot-welded seams.

Roval™ Collection Recessed Automatic Roll Paper Towel Dispenser and Waste Receptacle shall be Model № 204692A of American Specialties, Inc., 441 Saw Mill River Road, Yonkers, NY 10701-4913

INSTALLATION

Provide adequate in-wall reinforcement (by others) in drywall construction to hold mounted unit in-service after wall is finished. Provide appropriate anchors (by others) to suit wall and field conditions for installation into walls other than new drywall. Install unit in wall recess using № 10 x 1-1/2" [M5 x 40] self-threading pan head or flat head screws (by others) through concealed mounting holes provided. Shim RWO sides at mounting holes to center unit. Note that top of Rough Wall Opening (RWO) is 5/8" [16] below top of centered unit. For compliance with ANSI A-117.1, 2015 ABA Standards and 2010 ADA Accessibility Standards install unit so that top edge of towel dispenser opening is 48" [1219] Maximum Above Finished floor (Max AFF) only if clear floor reach access is provided. For general utility install unit with top of towel dispenser opening between 49" [1245] and 56" [1422] AFF.

RWO required is 16" [406] W x 54-3/4" [1392] H x 10-1/4" [260] D Min

OPERATION

Towels are dispensed one length at a time automatically when hands are placed in sensor zone until supply is depleted. Owner predetermines length of towel dispensed by making selections on three (3) three (3)-position switches for length, delay, and economy. Unit may be reloaded with a full roll to automatically start when finished with an existing partial roll and will continue to feed properly when reloaded with a full roll and partial roll is transferred to stub roll position. Refill dispenser by unlocking door and replacing towel roll for an empty or partially empty unit. Dispenser supply is replenished, batteries are replaced and waste receptacle is emptied manually on cycles determined by maintenance needs. Locking compartment door and receptacle retainer prevents unauthorized access and roll or battery removal.