



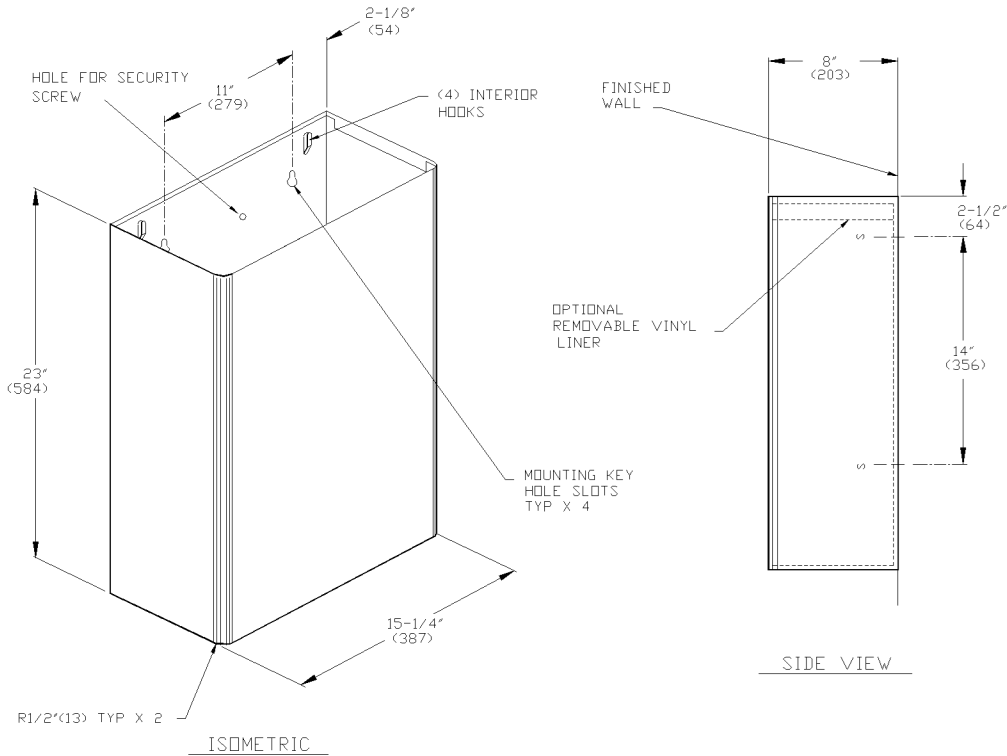
AMERICAN SPECIALTIES, INC.
 441 Saw Mill River Road, Yonkers, NY 10701
 (914) 476.9000 • (914) 476.0688
 www.americanspecialties.com

MODEL №: 0826

ISSUED: 1-87

REVISED: 1 MAY 2015

SURFACE MOUNTED WASTE RECEPTACLE



SPECIFICATION

Surface Mounted Waste Receptacle shall hold 12 gallons [45.4 liters] of waste material. Unit shall be 22 gauge type 304 stainless steel alloy 18-8 with satin finish and be protected during shipment with PVC film easily removable after installation. Receptacle shall have no exposed fastening devices or spot welded seams and shall have front outer vertical edges rounded to 1/2" [13] radius. Receptacle shall have four (4) interior hooks for hanging a reusable heavy gauge clear vinyl bag (available separately) with reinforced edges and rustproof grommets. Receptacle shall be mounted to wall through keyhole slots on back of unit and be theft resistant after installation of concealed locking screw.

Surface Mounted Waste Receptacle shall be Model № 0826 as manufactured by American Specialties, Inc., 441 Saw Mill River Road, Yonkers, New York 10701-4913.

INSTALLATION

For general utility, mount the receptacle 16" [406] above finished floor (AFF) from bottom of unit. For compliance with 2010 ADA Accessibility Standards, install unit with top edge no higher than 48" [1219] AFF. Hang unit on pre-installed four (4) screws (by others) on wall through the mounting 'key hole' slots. Install and fasten theft-resistant screw (by others) to wall through top middle hole of receptacle.

OPERATION

User deposits waste material. Maintenance schedule determines trash removal cycle. Unit is emptied by removing collection liner bag to empty into appropriate bulk collection container. Liner bag is washable and reusable and replacements are available should they be required (specify 58-PY)